



Self-priming centrifugal pump for domestic applications such as domestic systems where air is mixed with water. Recommended in combination with pressure set for water transfer, rainwater harvesting and garden irrigation systems.

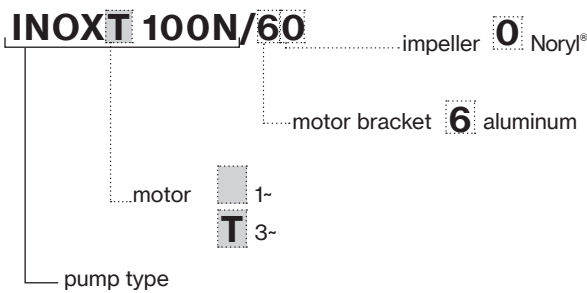
Construction features

Pump body	stainless steel AISI 304
Motor bracket	aluminum
Impeller	Noryl®
Mechanical seal	ceramic-graphite-NBR
Motor shaft	stainless steel AISI 416
Liquid temperature	0 - 50 °C
Operating pressure	max 8 bar

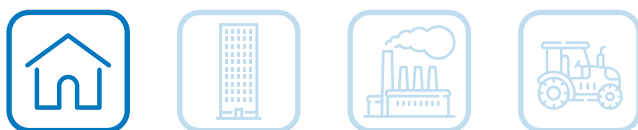
Motor

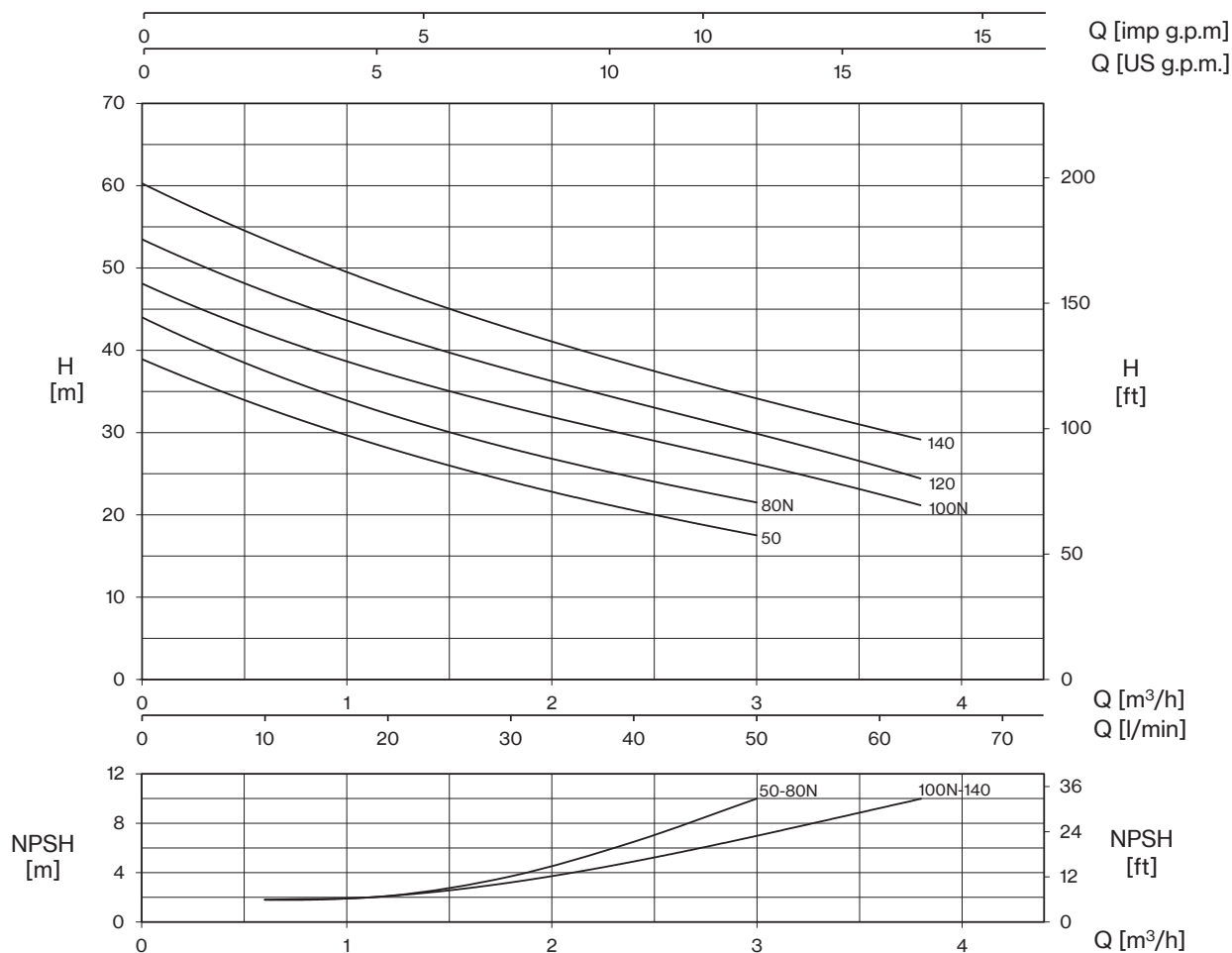
	3~ 220/380V - 60Hz
2 Poles induction motor	1~ 220V - 60Hz (with thermal protection)
Insulation class	F
Protection degree	IPX4

1~ 110V - 60Hz	
TYPE	I (A)
INOX 50	6,4
INOX 80N	7,0
INOX 100N	9,4
INOX 120	10,4

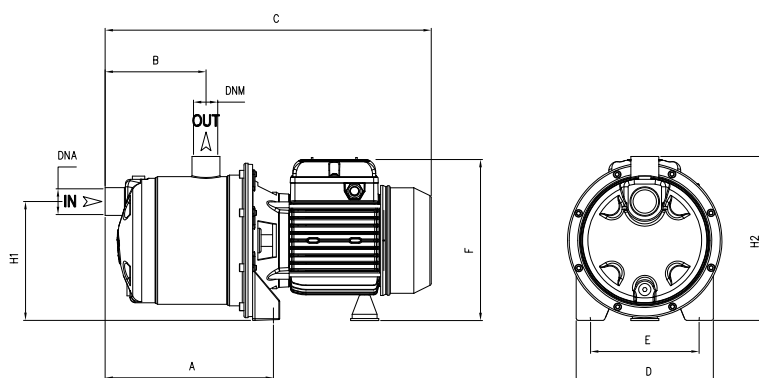


TYPE	LOTS			
	TRUCK		CONTAINER	
	PALLET (cm)	N° pumps	PALLET (cm)	N° pumps
INOX 50-140	85×110×150	60	85×110×190	80





TYPE		P2		P1 (kW)		AMPERE		Q (m³/h - l/min)							
1~	3~	HP	kW	1~	3~	1~	3~	0	0,6	1,2	1,8	2,4	3	3,6	3,8
								0	10	20	30	40	50	60	63,3
						1x220 V 60 Hz	3x380 V 60 Hz	H (m)							
INOX 50	INOXT 50	0,6	0,44	0,68	0,63	3,2	1,3	38,9	33,1	28,1	24,0	20,6	17,5		
INOX 80N	INOXT 80N	0,8	0,59	0,77	0,76	3,5	1,5	44,0	37,5	32,3	28,0	24,6	21,5		
INOX 100N	INOXT 100N	1	0,74	1,04	0,92	4,7	1,7	48,0	42,3	37,0	33,0	29,6	26,2	22,7	21,0
INOX 120	INOXT 120	1,2	0,88	1,14	1,03	5,2	1,9	53,4	47,4	41,9	37,5	33,7	29,9	26	24,3
INOX 140	INOXT 140	1,5	1,1	1,3	1,23	6	2,5	60,2	53,6	47,8	42,4	38,0	34,4	30,5	29,0



TYPE	DIMENSIONS (mm)													Kg
	A	B	C	D	E	F	H1	H2	DNA	DNM	I	L	M	
INOX 50	208	128	410	175	140	215	153	210	1" G	1" G	430	210	235	8,5
INOX 80N	208	128	410	175	140	215	153	210			430	210	235	9,5
INOX 100N	208	128	410	175	140	215	153	210			430	210	235	10,5
INOX 120	208	128	410	175	140	215	153	210			430	210	235	11
INOX 140	208	128	410	175	140	215	153	210			430	210	235	11,5



INOX (Garden version)

Portable electropumps complete with handle, cable with plug and switch.
The performances depend on adopted pump type.

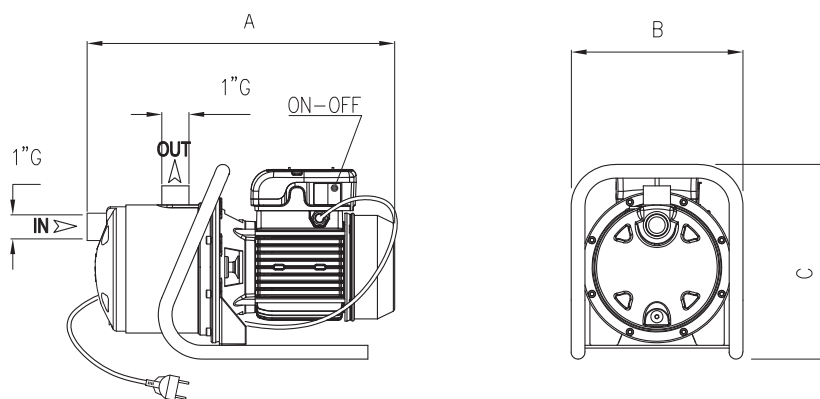


INOX

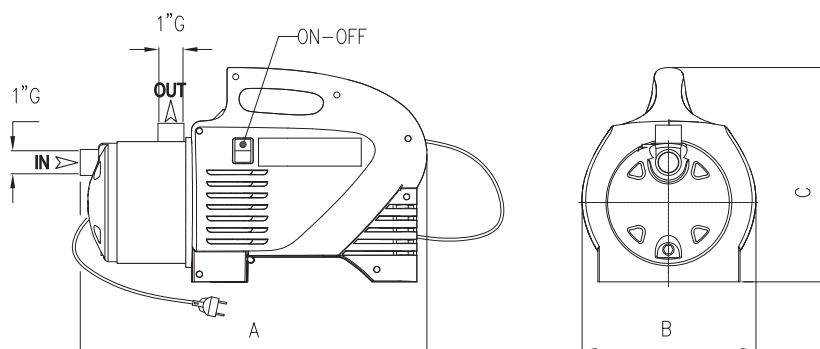


INOX BOX

TYPE	P2		P1 (kW)	Pipe		Performance	
	HP	kW		Suction ("G)	Delivery ("G)	Q (l/min)	H (m)
INOX 100N	1	0,74	1,04	1	1	10-63,3	42,3-21,0



INOX / MPX



INOX / MPX

TYPE	DIMENSIONS (mm)		
	A	B	C
INOX 100N	410	175	285
INOX 100N BOX	429	209	287

